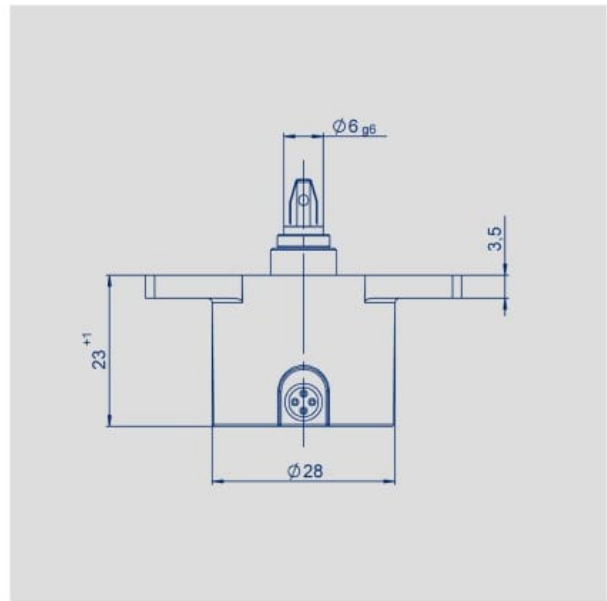


NOVOHALL
Rotary Sensor
non-contacting

Series RSC-2800

**Special features**

- Non-contacting, magnetic technology
- Measuring range up to 360°
- Available with push-on coupling or marked shaft
- Simple mounting
- Protection class IP54, IP65, IP67
- Long life
- Very small hysteresis
- Resolution up to 14 bit
- Linearity $\leq \pm 0.5\%$
- Single output and redundant versions
- European E1 approved

Applications

- Mechanical engineering
 - Textile machines
 - Packaging machines
 - Sheet metal and wire processing machines
- Automation technology
- Medical appliances
- Mobile machinery
 - Industrial trucks
 - Construction machines
 - Agricultural and forestry machines

The RSC-2800 sensor utilizes a contactless magnetic measurement technology to determine the measured angle. Unlike conventional Hall sensors, the orientation of the magnetic field is measured. The position information corresponding to the angular position is transmitted via a variety of analog and digital interfaces.

The housing is made of a special high grade temperature-resistant plastic material. Elongated slots allow simplicity in mounting together with ease of mechanical adjustment.

Three shaft options are available, including a push-on coupling option that ensures fast and simple installation.